

AIR/TAIK

Compressed Air System Products

Compressed Air System Filters



**Compressed Air
System Products**

**Save Energy &
Improve Operations**

Compressed Air System Filters



Air/Tak Filters for Clean, Dry Compressed Air Systems

**Differential
Pressure Gauge**

**Multiple Borosilicate Glass
Microfiber Layers**

**Inner and Outer 304 Stainless
Steel Support Cores**

Aluminum Tie Rod System

**Outer Specially
Impregnated Open Cell Foam**

Corrosion-Resistant End Cap





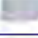

Automatic Drain Valve

F03 - F30 Materials of Construction/Features

- Aluminum Cast Filter Housing (ANSI Alloys A380 and A413)
- Filter Housing Finish: Powder Coated Exterior (ASTM & ISO) and Anticorrosive Wash Fuller Interior
- Filter Element Media: Borosilicate Glass Microfibers
- Filter Element Construction: Corrosion Resistant Glass Polyamide End Cap, Inner and Outer 304 Stainless Steel Support Cores and Outer Foam Drain Layer
- Differential Pressure Gauges on Housings
- Automatic Drain Valves

**Models F03
through F30**

F Series Compressed Air Filter Media Specifications

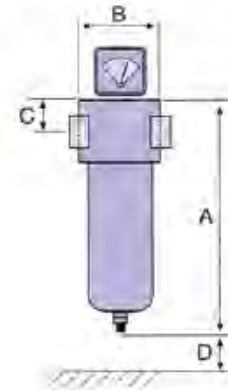
Element Color and Grade	Particle Removal	Maximum Oil Carryover (mg/m ³)	Pressure Drop (PSID)	Applications
 C	.01μ	.01	1 1/2	Coalescing to remove smaller aerosols. Prefilter for Regenerative Air Dryers or second filter in 2-stage coalescing.
 GP	1μ	.5	1 1/4	General purpose filtration to remove heavy aerosol loads. Prefilter for Deliquescent and Refrigerated Air Dryers or first filter in 2-stage coalescing.
 PF	5μ	5	3/4	Prefilter for Coalescer.
 P	1μ	N/A	1 1/4	Particulate interception. Afterfilter for Desiccant Air Dryers.
 A	99% Oil Vapor Removal	.003	1 1/4	Carbon adsorber for removal of oil vapors. Preparation for breathing air.
 HT	1μ	N/A	1 1/4	High temperature particulate interception. Afterfilter for Heated Regenerative Air Dryers.

Rated Capacity

Dimensions

Filter Housing Model No.	Flow Rate (SCFM @ 100 PSIG)	Inlet & Outlet Conn.	Height A	Width B	To Port C	Bowl Clearance D	Weight (lb.)
F03-**30	30	3/8"	7 5/8"	2 5/8"	3/4"	4"	2
F04-**60	60	1/2"	9 1/3"	3 3/4"	3/4"	6"	3
F06-**120	120	3/4"	14 3/4"	4 5/8"	1 1/3"	10"	4
F10-**150	150	1"	18 1/3"	4 5/8"	1 1/3"	12"	5
F12-**300	300	1 1/4"	20 7/8"	4 5/8"	1 1/3"	15"	10
F14-**350	350	1 1/2"	20 7/8"	4 5/8"	1 1/3"	17"	14
F20-**700	700	2"	28 7/16"	6 11/16"	2 1/2"	22"	18
F24-**900	900	2 1/2"	29 15/16"	9 1/4"	2 5/8"	17"	24
F30-**1300	1300	3"	29 15/16"	9 1/4"	2 5/8"	24"	36

F Series Filters 3/8" - 3" NPT



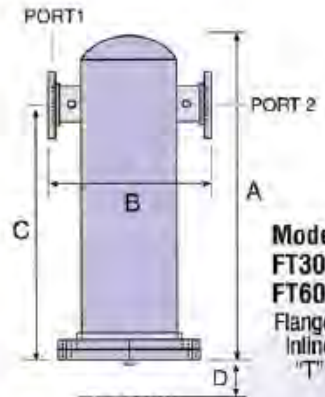
**Models
F03 - F30**

ASME Compressed Air Filter Media Specifications

Element Grade	Coalescing Efficiency .3 to .6 Micron particles	Maximum Oil Carryover PPM w/w	Micron Rating	Pressure Drop (PSID)		Applications
				Media Dry	Media Wet	
TC ₃	99.97%	.008	.01	1	2-3	Coalescing to remove smaller aerosols. Prefilter for Regenerative Air Dryers or second filter in 2-stage coalescing.
GC ₃	98.5%	.2	.1	1	1-1	General purpose filtration to remove heavy aerosol loads. Prefilter for Refrigerated Air Dryers or first filter in 2-stage coalescing.
PC ₃	95%	.8	1	-	1 - 1 1/2	Prefilter for Coalescer.
IU ₄	3 Micron Efficiency Rating	N/A	-	1/2	N/A	Particulate interception. Afterfilter for Heatless Regenerative Air Dryers.
DS ₄	95%	N/A	1	-	N/A	High temperature particulate interception. Afterfilter for Heated Regenerative Air Dryers.
AU ₄	99% Oil Vapor Removal Efficiency	N/A	-	1	N/A	Carbon adsorber for removal of oil vapors. Preparation for breathing air.

- 1 - Tested per ECAS 86000 @ 40 PM Inlet.
- 2 - Add media dry + media wet for total pressure drop.
- 3 - Coalescers flow from inside to outside, port #1 is the inlet.
- 4 - Interceptors and adsorbers flow from outside to inside, port #2 is the inlet.

ASME Filters 3" and up



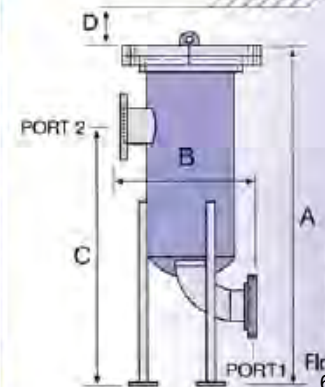
**Models
FT30K -
FT60M
Flanged
Inline
"T"**

ASME Filters

Dimensions

ASME Filter Housing Model No.	Inlet & Outlet Conn.	Height A	Width B	To Port C	Bowl Clearance D	Weight (lb.)
FT30K-**	3"	45 1/8"	17 1/4"	36 1/2"	30"	175
FF30K-**	3"	53 1/8"	15 1/16"	40 3/8"	30"	195
FT40L-**	4"	44 3/8"	21 3/4"	34 7/8"	27"	300
FF40L-**	4"	51 1/4"	20 7/16"	37 3/8"	27"	320
FT60M-**	6"	56 1/4"	24 3/4"	45 3/4"	38"	350
FF60M-**	6"	62 1/8"	23 1/8"	48 3/4"	38"	390
FF60K-**	6"	63"	29"	63 9/16"	30"	420
FF80K-**	8"	61"	31 1/8"	60 5/16"	30"	680

- ** For F SERIES, indicate filter element grade (C, GP, PF, P, A, HT). For ASME Filters, indicate filter element grade (TC, GC, PC, IU, DS, AU).
 Connections: F Series F03-F30: 3/8" NPT to 3" NPT; ASME Filters FF and FT: 3" to 8" Flanged. Dimensions and weights subject to change without notice.
 F Series Maximum Working Pressure 250 PSIG; ASME Series Maximum Working Pressure 150 PSIG & Maximum Working Temperature 175°F.
 Consult factory for High Pressure, Stainless Steel, and sizes above 8" Inlet/outlet ASME Series filters.



**Models
FF30K -
FF80K
Flanged
Floor Mounted
6with Legs**

Recommended Filters for Compressed Air Dryers

Filter Housing Model No.	Refrigerated		Heatless Regenerative		Heated Regenerative		Deliquescent	
	Filter Element Grade							
	Prefilter (GP)	Afterfilter (C)	Prefilter (C)	Afterfilter (P)	Prefilter (C)	Afterfilter (HT)	Prefilter (GP)	Afterfilter (P)
FO3-**30	SD-10/20-A		SHLD-10		---		----	
FO4-**60	SD-20/30		SHLD-25/50 HLD-25/35/50		---		DD-48	
FO6-**120	SD-40 BDA-50/75		HLD-70/100		---		DD-72	
F10-**150	BDA-100/150		HLD-100/150		EHD-100		DD-100/150	
F12-**300	BDA-200		HLD-200		EHD-176/250 BPD-250		DD-150/220	
F14-**350	BDA-200 D-300		HLD-250/350		EHD/BPD-350		DD-370	
F20-**700	D-400/500/600		HLD-500/650		EHD/BPD-500/700		DD-370/520	
F24-**900	D-800		HLD-800		EHD/BPD-850		DD-740	
F30-**1300	D-1000		HLD-1000/1250		EHD/BPD-1000/1350		DD-970/1250	

Differential pressure gauges and automatic drain valves installed on all F Series Filters.

