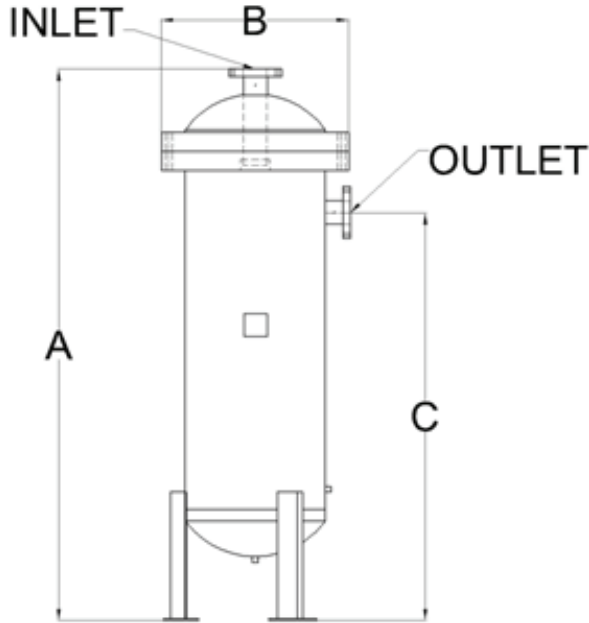


Mist Eliminators



AVAILABLE OPTIONS:

- Stainless Steel Vessel
- Differential Pressure Gauge Kit
- Internal Epoxy

MESP models include the *single* packed element.
MEDP models include the *double* packed element.

Maximum Working Pressure: 165 PSIG

MIST ELIMINATOR SPECIFICATIONS						
MODEL	SCFM	VESSEL DIAMETER	IN/OUT CONN.	OVERALL HEIGHT (A)	OVERALL DIAMETER (B)	OUTLET TO FLOOR (C)
MESP-370	370 SCFM	16"	2"	57 9/16"	23 1/2"	55 1/16"
MESP-550	550 SCFM	16"	2"	57 9/16"	23 1/2"	55 1/16"
MESP-1100	1100 SCFM	16"	2 1/2"	73 5/16"	23 1/2"	53 1/2"
MESP-1600	1600 SCFM	18"	3"	80 1/2"	25"	60"
MESP-2000	2000 SCFM	20"	4"	85 7/16"	27 1/2"	63 7/8"
MEDP-2600	2600 SCFM	20"	4"	85 1/2"	27 1/2"	63 15/16"
MEDP-3400	3400 SCFM	24"	4"	83 15/16"	32"	59 1/8"
MEDP-4400	4400 SCFM	24"	4"	95 7/16"	32"	70 5/8"
MEDP-5200	5200 SCFM	24"	5"	107 13/16"	32"	82 7/8"
MEDP-6200	6200 SCFM	24"	5"	121"	32"	96 1/2"
MEDP-7800	7800 SCFM	30"	6"	111 3/4"	38 3/4"	84 15/16"
MEDP-9300	9300 SCFM	30"	6"	123 4/4"	38 3/4"	96 15/16"
MEDP-10100	10100 SCFM	30"	6"	129 3/4"	38 3/4"	102 15/16"
MEDP-12400	12400 SCFM	36"	8"	129 11/16"	46"	99 3/8"

*All Dimensions in Inches



Solenoid Drain Valves

What are you doing about removing the condensate from your compressed air system?

The Solenoid Drain Valves are simple to install and can be mounted in any position. These reliable drain valves are fully automatic and require no maintenance. Their small compact design includes a rugged timer housing and brass valve body. They use the latest electronic technology with LED operational status indicators and a manual test switch.

Features:

- Simple to install
- Small compact design
- LED indicators show operational status
- Adjustable cycle and open times
- Manual press-to-test switch
- Fully automatic

Specifications:

- In/Out Connections: 1/4", 3/8" and 1/2"
- Pressure Range: 0 to 230 PSIG
- Temperature Range: 40°F to 120°F
- Supply Voltages: 115/230 – 60/50
- Enclosure: IP 65
- Cycle Time: 0.5 - 45 minutes
- Open Time: 0.5 - 10 seconds
- Operation: fully automatic
- Controls: LEDs to indicate On or Off, manual test switch
- Valve: 2-way direct acting, forged brass body, viton seals
- Timer: ABS Plastic FR grade housing, DIN 43650A connection

Models:

- SDV-02 (1/4" connections)
- SDV-03 (3/8" connections)
- SDV-04 (1/2" connections)

