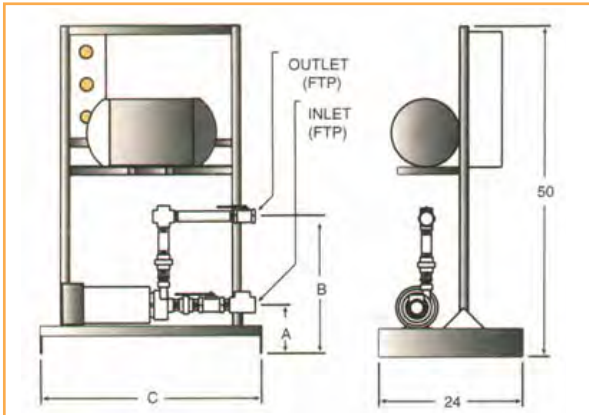
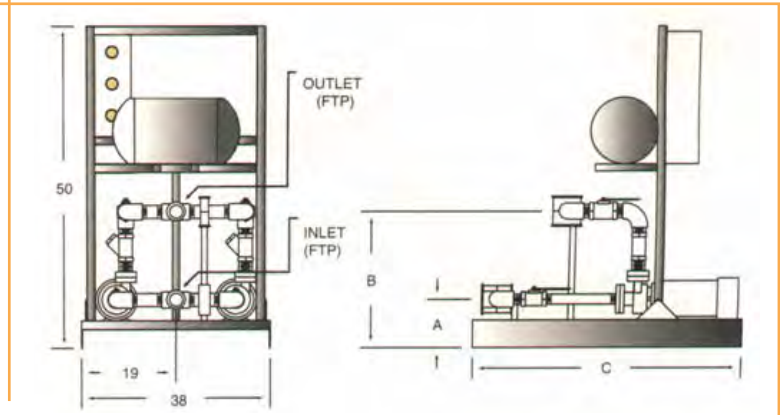


Simplex Pump Station



Duplex Pump Station



SPECIFICATIONS

Model Number		Pump H.P.	Inlet	Outlet	A	B	C
Simplex	Duplex						
SPS-3/4	DPS-3/4	3/4	3/4	3/4	9 1/4	20 1/2	24
SPS-1 1/2	DPS-1 1/2	1 1/2	1 1/2	1	9	22 1/2	36
SPS-3	DPS-3	3	1 1/2	1	8 1/2	22 1/2	42
SPS-5	DPS-5	5	2	1 1/2	9 1/2	24 1/2	48
SPS-7 1/2	DPS-7 1/2	7 1/2	2	1 1/2	9 1/2	24 1/2	48
SPS-10	DPS-10	10	2	1 1/2	10 1/4	24 1/2	48
SPS-15	DPS-15	15	3	2	11 1/4	26 3/4	65

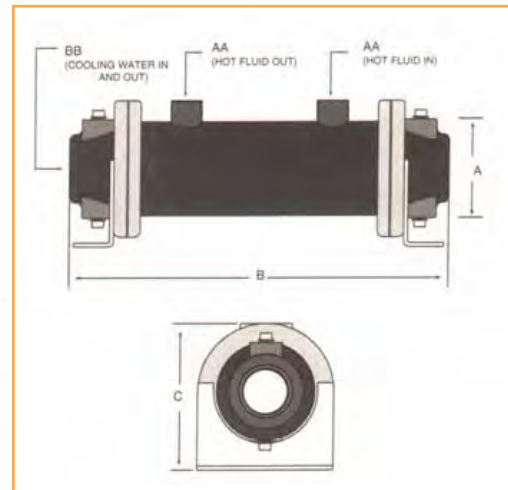
** Dimensions are approximate and subject to change without notice.

Trim Coolers

SPECIFICATIONS

Model Number	A	B	C	Number of Passes	AA NPT	BB NPT	WEIGHT (LBS)
TC-836	4	40	6 3/4	4	1 1/2	3/4	53
TC-1248	6	53	8 3/4	4	2	1 1/2	135
TC-1260	6	65	8 3/4	4	2	1 1/2	160
TC-1760	8 3/8	67	11 5/8	4	3	2	260
TC-1772	8 3/8	79	11 5/8	4	3	2	300

** Dimensions are approximate and subject to change without notice.



AIR TAK

Compressed Air System Products